



# Penner Manufacturing Inc.

## Aqua-Aire® Spas

Plumbing Specifications

Electrical Specifications

Room Recommendations

Plumbing Codes

*CASCADE™ SERIES RIGHT & LEFT*

### **Contact Information:**

**Mail: PO Box 523**

**102 Grant Street**

**Aurora NE 68818**

**Phone: 1-800-732-0717**

**1-866-736-6377**

**Fax: 1-402-694-5319**

**Email: [sales@pennercareinc.co](mailto:sales@pennercareinc.co)**



# Penner Manufacturing Inc.

## Aqua-Aire® Spas

### Regulatory Requirements

- Penner Manufacturing meets or exceeds requirements of most State and Municipal Plumbing and Electrical Codes. Always seek the recommendations of applicable agencies prior to installation of a bathing system. It is advisable to ask if RPZ's or Reduced Pressure Zone Backflow Prevention Valves are required
- Penner Spas Compliant to the following Regulations:
  - (UL) Under Writers Laboratories Inc PIDF.E213698  
Medical Equipment
  - (FDA) Food and Drug Administration Medical Device  
Establishment 1922538



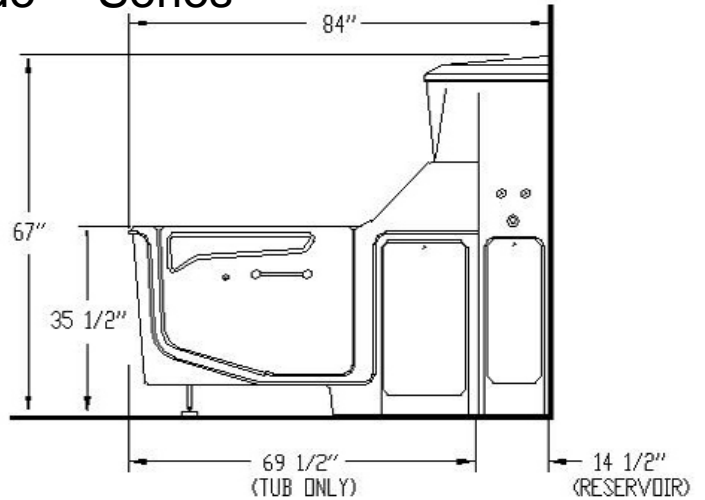
# Penner Manufacturing Inc

## Aqua-Aire® Spas

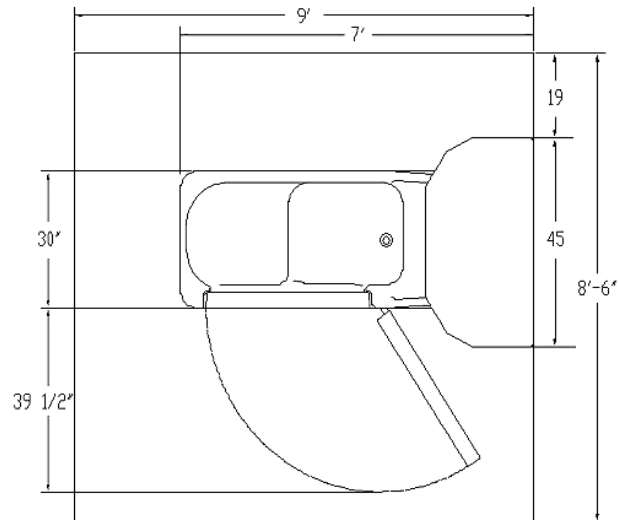
### The Cascade™ Series

#### Standard Cascade Specifications

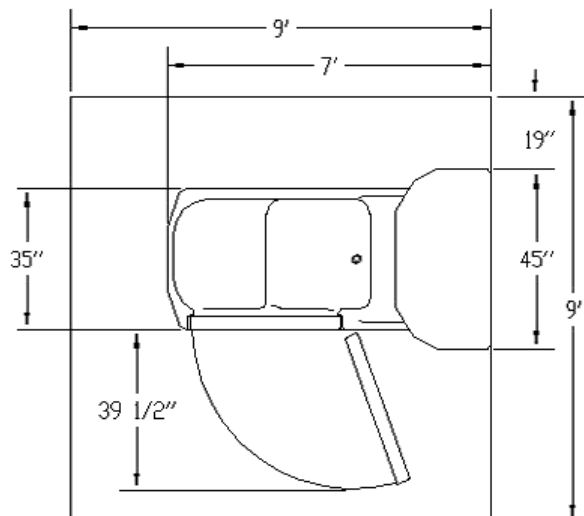
- Tub Length 69 1/2" With Trim • Tub Length with Reservoir 84" With Trim
- Tub Width w/Door handle on 34 1/8" Includes Handle and Buttons
- Tub Width without Door Handle 30"
- Tub Width Reservoir w/Fill Handle 47"
- Tub Width Door Open 69 7/8" Includes Buttons
- Tub Shipping Weight Without Reservoir 484 Lbs. Crated
- Total Weight Filled / Without Resident 1016 Lbs. 2 1/4" Down from Overflow
- Tub Filled Volume 80 Gallons
- Tub Filling Time 35 PSI Dynamic 10 Min. 8 Sec. 2 1/4" Down from Overflow
- Time For Reservoir to Empty Into Tub 72 Sec.
- Tub Filling Time at 35 PSI Dynamic Pressure and Tub Reservoir 2 Min. 30 Sec. 2 1/4" Down from Overflow
- Tub Emptying Time 2 Min. 16 Sec. 2 1/4" Down from Overflow
- Water Connection 3/4"
- Reservoir Capacity 56 Gallons
- Hoses ( Included) 2 Ea. 3/4"
- Minimum Water Pressure (USA) 20 PSI
- Maximum Water Pressure (USA) 150 PSI
- Recommended Maximum Hot Water Tub Fill Temperature 110 Degree "F"
- Maximum Cold Water Temperature 67 Degree "F"
- Drain Connection 2" Male Nominal • Minimum Drain Capacity 35 GPM
- Electrical Connection (USA) 120VAC 13.3 Amp. 60 HZ 1 PH
- Inside Length End to End 50 3/4"
- Inside Width Side to Side 22"
- Reservoir Capacity 56 Gallons



PENNER MFG - CASCADE SIDE VIEW



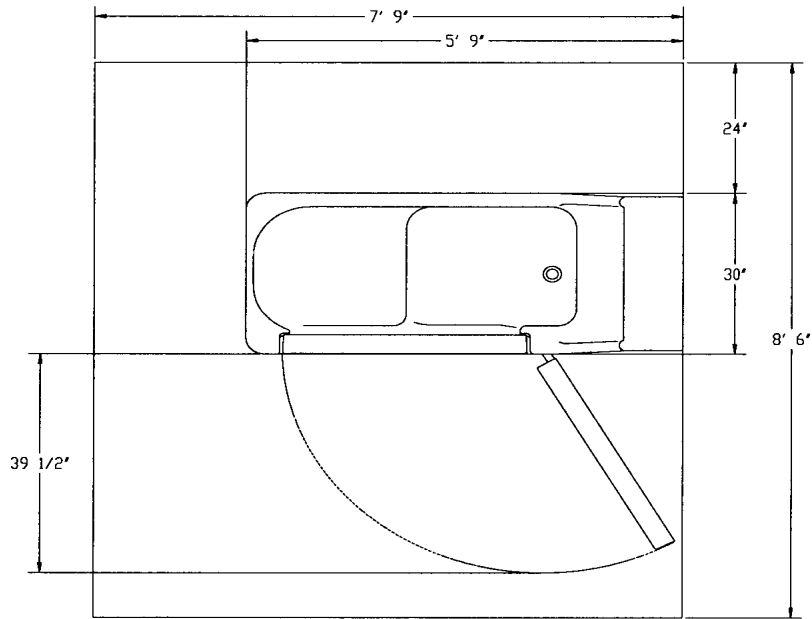
PENNER MFG CASCADE TUB / ROOM SIZE



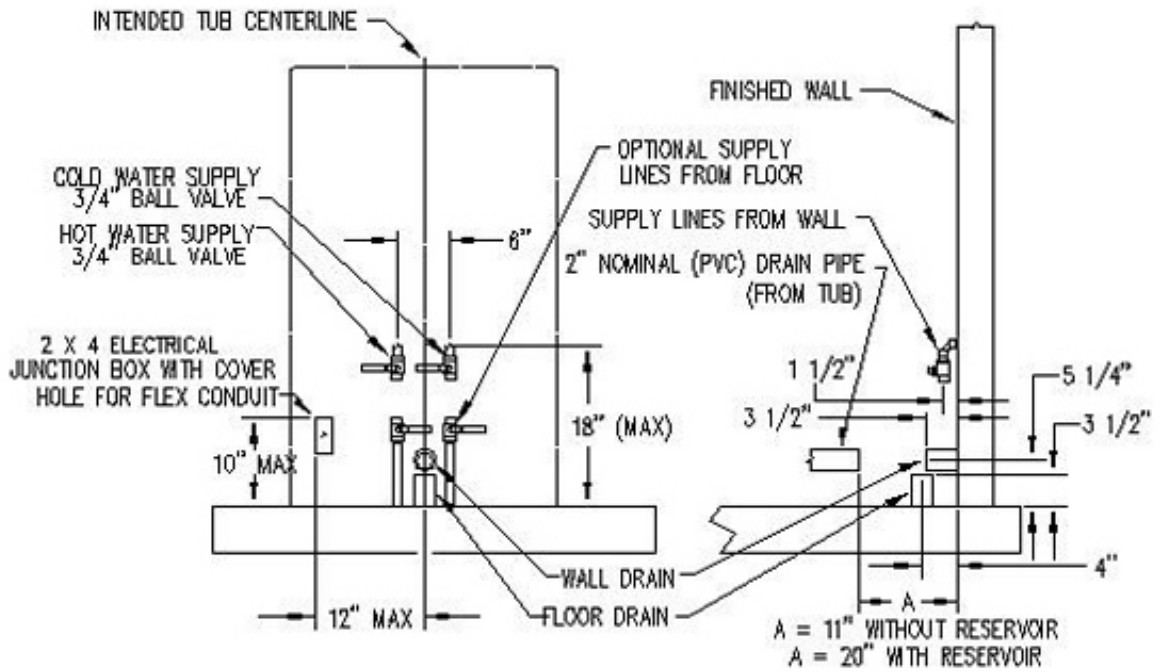
PENNER MFG - BARIATRIC TOP VIEW



# Penner Manufacturing Inc Aqua-Aire® Spas The Cascade™ Series



Room Layout for Standard Cascade Without Reservoir



PENNER MFG - CASCADE ROUGH-IN DIMENSIONS