



Penner Manufacturing Inc.

Aqua-Aire® Spas

Plumbing Specifications

Electrical Specifications

Room Recommendations

Plumbing Codes

THE PACIFIC™ SERIES

Contact Information:

Mail: PO Box 523

102 Grant Street

Aurora NE 68818

Phone: 1-800-732-0717

1-866-736-6377

Fax: 1-402-694-5319

Email: sales@pennercareinc.co



Penner Manufacturing Inc.

Aqua-Aire® Spas

Regulatory Requirements

- Penner Manufacturing meets or exceeds requirements of most State and Municipal Plumbing and Electrical Codes. Always seek the recommendations of applicable agencies prior to installation of a bathing system. It is advisable to ask if RPZ's or Reduced Pressure Zone Backflow Prevention Valves are required
- Penner Spas Compliant to the following Regulations:
 - (UL) Under Writers Laboratories Inc PIDF.E213698
Medical Equipment
 - (FDA) Food and Drug Administration Medical Device
Establishment 1922538

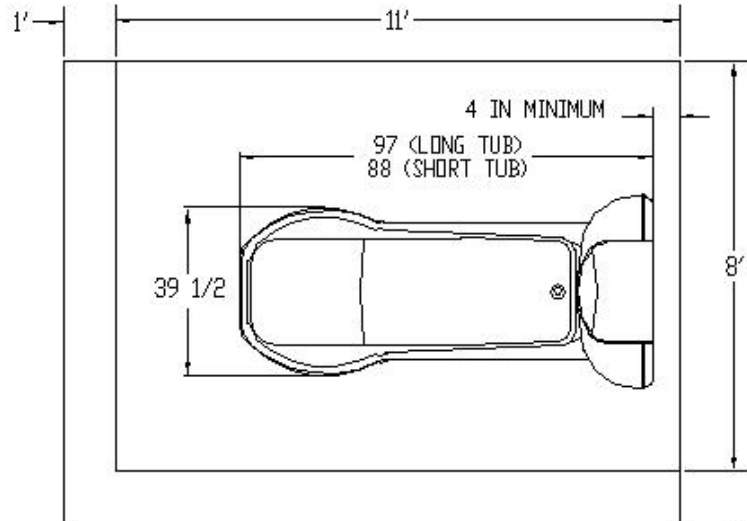


Penner Manufacturing Inc

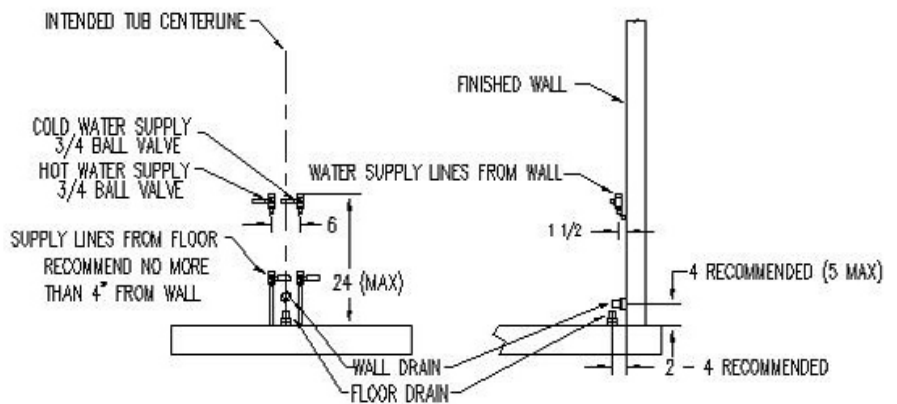
Aqua-Aire® Spas

The Pacific™ Series

- Pacific Spa Specifications
- Long Tub Length Without Panel 83 ½" Long
- Tub Length with Panel 101 ¼"
- Short Tub Length Without Panel 74 ½"
- Short Tub Length With Panel 92 ¼"
- Tub Width 39 ½"
- Long Tub Only Shipping Weight 334 Lbs. Crated
- Short Tub Only Shipping Weight 314 Lbs. Crated
- Pacific Panel Shipping Weight 474 Lbs. Crated
- Long Tub Total Weight completely filled/ Without Resident 1280 Lbs. 2 ¼"Down from Overflow
- Short Tub Total Weight completely filled/ Without Resident 1080 Lbs. 2 ¼"Down from Overflow
- Long Tub Filled Capacity 100 Gallons 2 ¼"Down from Overflow
- Short Tub Filled Capacity 80 Gallons 2 ¼"Down from Overflow
- Long Tub Filling Time at 35 PSI Dynamic 11Min. 30 Sec. 2 ¼"Down from Overflow
- Short Tub Filling Time at 35 PSI Dynamic 10 Min 2 ¼"Down from Overflow
- Long Tub Emptying Time Raised 3 Min. 30 Sec. 2 ¼"Down from Overflow
- Long Tub Emptying Lowered 3 Min.45 Sec. 2 ¼"Down from Overflow
- Short Tub Emptying Time Raised 2 Min. 30 Sec. 2 ¼"Down from Overflow
- Short Tub Emptying Time Lowered 3 Min. 2 ¼"Down from Overflow
- Tub Height Lowest Position to the Rim Edge 29 ¾"
- Tub Height Highest Position to the Rim Edge 44 ¾"
- Tub Raising Time (Full) 26 Sec.
- Tub Lowering Time (Full) 25 Sec.
- Adjustable tub Lift Capacity 1600 Lbs.
- Stroke Range 15"
- Water Connection ¾"
- Hoses (Included) 2 Ea. ¾"
- Minimum Water Pressure (USA) 20 PSI
- Maximum Water Pressure (USA) 150 PSI
- Recommended Maximum Hot Water Tub Fill Temperature 110 Degree "F"
- Maximum Cold Water Temperature 67 Degree "F"
- Drain Connection 2"Male Nominal •Minimum Drain Capacity 35 GPM
- Electrical Connection (USA) 120VAC 13.3 Amp.



8' X 11' FOR ACCESS FROM ONE SIDE
 9' X 12' FOR ACCESS FROM BOTH SIDES
 PENNER MFG -- PACIFIC TUB RECOMMENDED ROOM SIZE



PENNER MFG -- PACIFIC DRAIN AND WATER SUPPLY ROUGH-IN



Penner Manufacturing Inc.

Aqua-Aire® Spas

THE PACIFIC™ SERIES

